

MANUFACTURER & EXPORTER OF PRECISION LATHES

WE ARE AIMING EVEN BETTER.

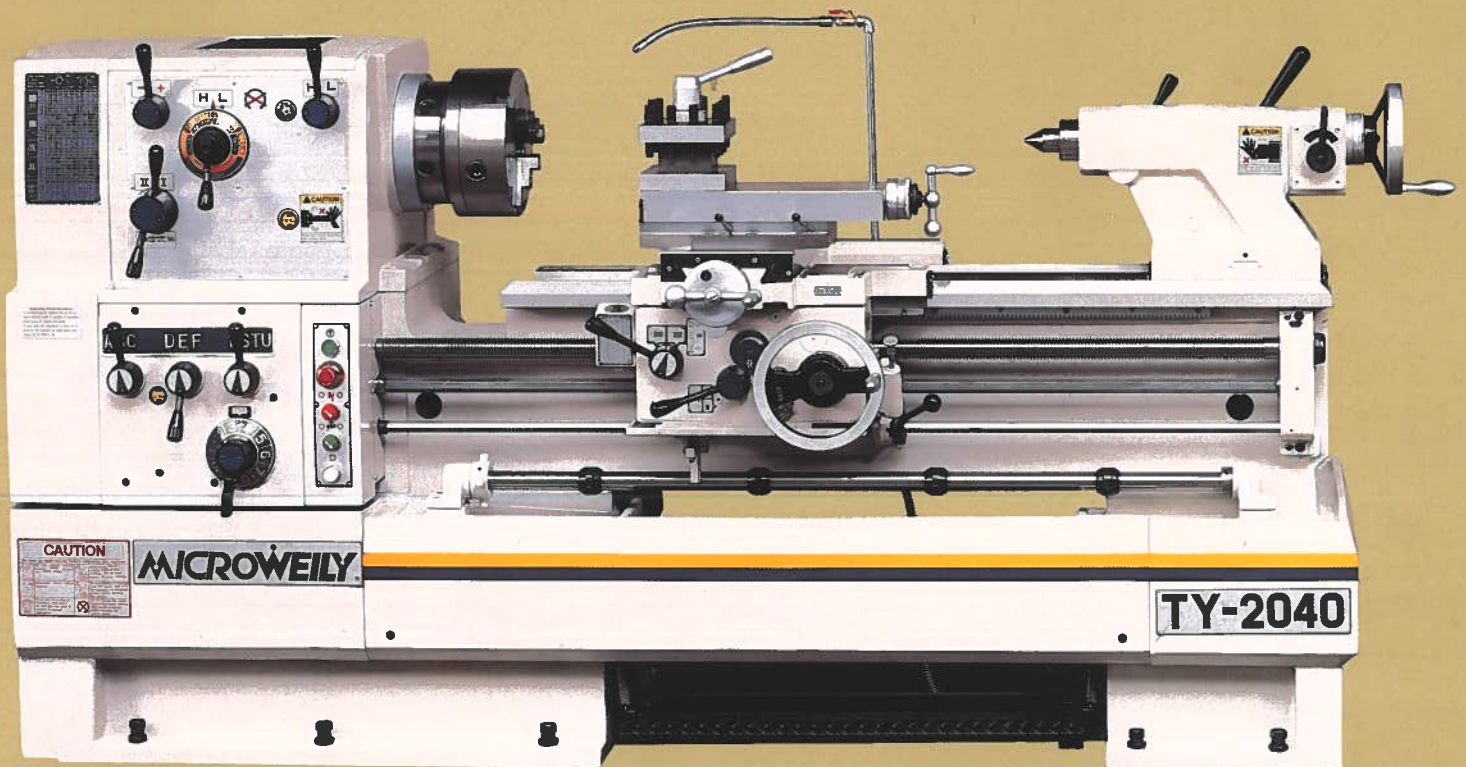


MICROWEILY

HIGH SPEED PRECISION LATHE

20 / 22 / 26 SERIES

Special accessory shown in this picture
is 3-jaw chuck.

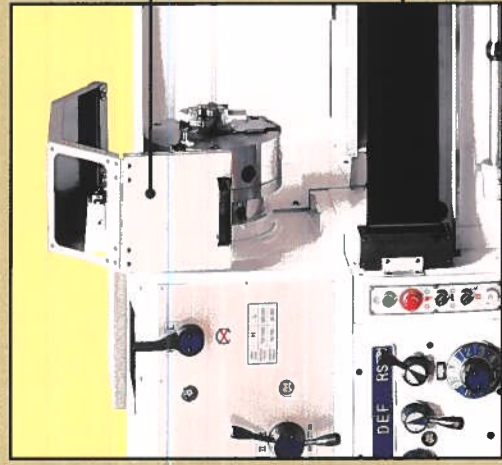
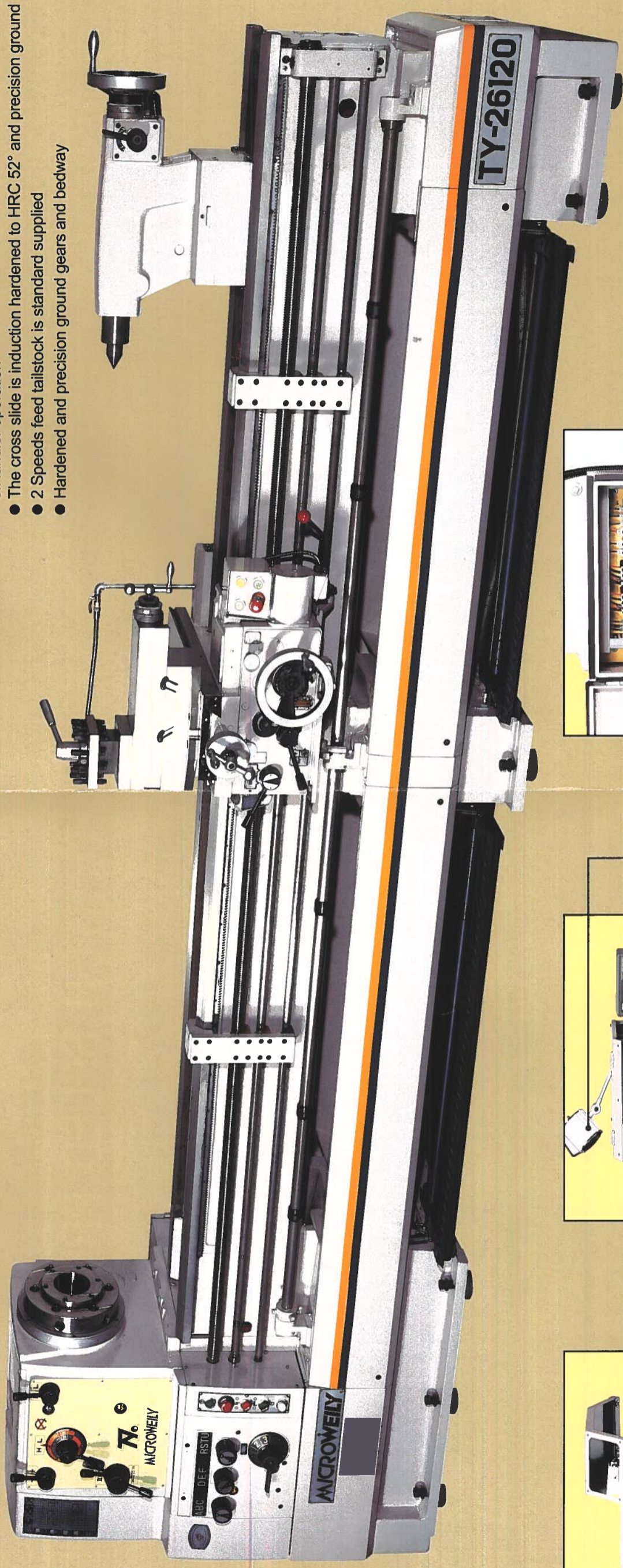


WE ARE AIMING EVEN BETTER.
MICROWEILY

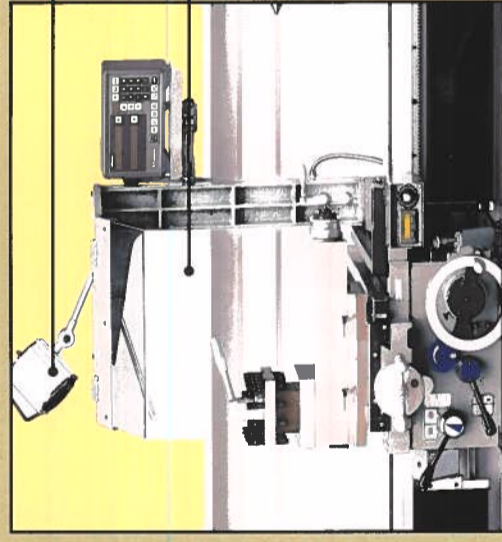
**ISO 9000 CERTIFICATE OF REGISTRATION NO. FM25064
 APPROVED BY BSI QUALITY ASSURANCE**

MAIN FEATURES

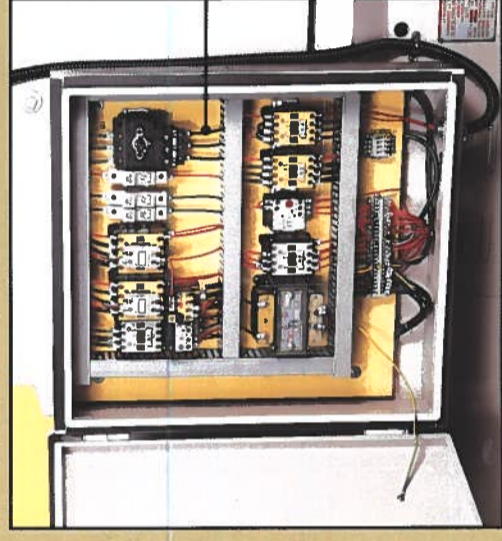
- The slideways between the saddle and bed are TURCITE B coated
- 1.Reducing the friction resistance
- 2.Saving power consumption
- 3.Handler operation
- The cross slide is induction hardened to HRC 52° and precision ground
- 2 Speeds feed tailstock is standard supplied
- Hardened and precision ground gears and bedway



Leadscrew and feed rod with protection cover
 Headstock chuck guard (with safety glass)
 with micro switch



Fourway tool post protector
 Halogen work lamp



Electrics and switch with EC approved

STANDARD ACCESSORIES

1. Center sleeve No.7/No.5 MT
2. 2 Centers No.5 MT
3. Tool box & tool kits
4. Back plate
5. Automatic stop for longitudinal feeds
6. Motor:10HP,3Ph
7. Coolant pump equipment
8. Steady rest (Brass shaft, 3"-8") for 20"
 (Brass shaft, 4"-10") for 22"/26"
9. D.P. & M.P. Change gears
10. Instruction & parts manual

TY-2040 / 2060 / 2080 / 20100 / 20120 / 20160 TY-2240 / 2260 / 2280 / 22100 / 22120 / 22160 TY-2640 / 2660 / 2680 / 26100 / 26120 / 26160

SPECIFICATION

SERIES		20	22	26
MODEL		TY-2040 TY-20100 TY-2060 TY-20120 TY-2080 TY-20160	TY-2240 TY-22100 TY-2260 TY-22120 TY-2280 TY-22160	TY-2640 TY-26100 TY-2660 TY-26120 TY-2680 TY-26160
CAPACITY & DIMENSIONS	Swing over bed	510mm (20")	560mm (22")	660mm (26")
	Swing over cross slide	330mm (13")	360mm (14-1/8")	460mm (18-1/16")
	Swing in gap diameter	680mm (26-3/8")	745mm (29-3/8")	845mm (33-1/4")
	Length of gap in front of face plate	180mm (7-1/16") (W/D1-8) / 200mm (7-7/8") (W/A1-8) 165mm (6-1/2") (W/D1-11) / 185mm (7-1/3") (W/A1-11)		
	Center height	255mm (10")	280mm (11")	330mm (13")
	Center admits between	1000mm(40") / 1530mm(60-1/4") / 2040mm(80-5/16") / 2550mm(100-3/8") / 3060mm(120-1/2") / 4060mm(160")		
	Bed width	400mm (16-1/8")		
	Motor for spindle	10HP,3ph (Standard) / 15HP,3ph (Optional)		
	Motor for coolant pump	1/8HP,3ph		
HEADSTOCK	Spindle bore	80mm(3-1/8") (Standard) / 105mm(4-1/8") For 22"/26" (Optional)		
	Spindle nose	D1-8" ISO or A1-8" ISO (Standard) / D1-11" ISO or A1-11" ISO (Optional)		
	Spindle taper in nose/sleeve	No.7/No.5 (Standard) / No.8/No.5 (Optional)		
	Speeds number	12		
	Speeds range	20-1550r.p.m.(Standard) / 15-1200r.p.m. For 22"/26" (Optional)		
CARRIAGE & COMPOUND	Cross slide travel	320mm (12-1/2") For 20"/22" series		380mm (14-15/16") For 26" series
	Compound rest travel	255mm (10")		
	Leadscrew diameter&thread	38mm (1-1/2") / 6mm P or 4 T.P.I.		
THREADS & FEEDS	Imperial threads	60 Nos. 2-112 T.P.I.		
	Metric threads	60 Nos. 0.2-14mm Pitch		
	Diametral pitch threads	50 Nos. 4-112 D.P.		
	Module pitch threads	50 Nos. 0.2-7 M.P.		
	Longitudinal feeds	Imperial	50 Nos. 0.0014"-0.0387"/rev.	
		Metric	50 Nos. 0.037-1.04mm/rev.	
	Cross feeds	Imperial	50 Nos. 0.0007"-0.01935"/rev.	
Metric		50 Nos. 0.0185-0.52mm/rev.		
TAILSTOCK	Quill dia./travel	75mm (2-15/16") / 160mm (6-5/16")		
	Quill taper	No.5 Morse		
WEIGHT & MEASURES (APPROX.)	Machine length	2538mm(100") / 3048mm(120") / 3558mm(140") / 4068mm(160-1/8") / 4578mm(180-1/4") / 5598mm(220-2/5")		
	Machine width	1280mm (50-3/8")		
	Machine height	1255mm (49-3/8") For 20" series		
		1305mm (51-3/8") For 22" series		
		1355mm (53-3/8") For 26" series		
	Packing dimensions	100"x54"x67" / 121"x54"x67" / 140"x54"x67" / 161"x54"x67" / 185"x54"x67" / 223"x54"x67"		
	Net weight	1980kgs(TY-2040) / 2230kgs(TY-2060) / 2480kgs(TY-2080) / 2730kgs(TY-20100) / 2980kgs(TY-20120) / 3480kgs(TY-20160) 2030kgs(TY-2240) / 2280kgs(TY-2260) / 2530kgs(TY-2280) / 2780kgs(TY-22100) / 3030kgs(TY-22120) / 3530kgs(TY-22160) 2080kgs(TY-2640) / 2330kgs(TY-2660) / 2580kgs(TY-2680) / 2830kgs(TY-26100) / 3080kgs(TY-26120) / 3580kgs(TY-26160)		
Gross weight	2210kgs(TY-2040) / 2480kgs(TY-2060) / 2750kgs(TY-2080) / 3020kgs(TY-20100) / 3290kgs(TY-20120) / 3830kgs(TY-20160) 2260kgs(TY-2240) / 2530kgs(TY-2260) / 2800kgs(TY-2280) / 3070kgs(TY-22100) / 3340kgs(TY-22120) / 3880kgs(TY-22160) 2310kgs(TY-2640) / 2580kgs(TY-2660) / 2850kgs(TY-2680) / 3120kgs(TY-26100) / 3390kgs(TY-26120) / 3930kgs(TY-26160)			

* Design and specifications are subject to change without notice.



WE ARE AIMING EVEN BETTER.

MICROWEILY

WEY YII CORP.

409-6 PEI-TON ROAD, PEI-TON DIST., 406
P.O. BOX 901, TAICHUNG, TAIWAN, R.O.C.
TEL: 886-4-22447999
FAX: 886-4-22444555

E-Mail: b139@ms17.hinet.net / microweily@yahoo.com.tw
http://www.microweily.com.tw